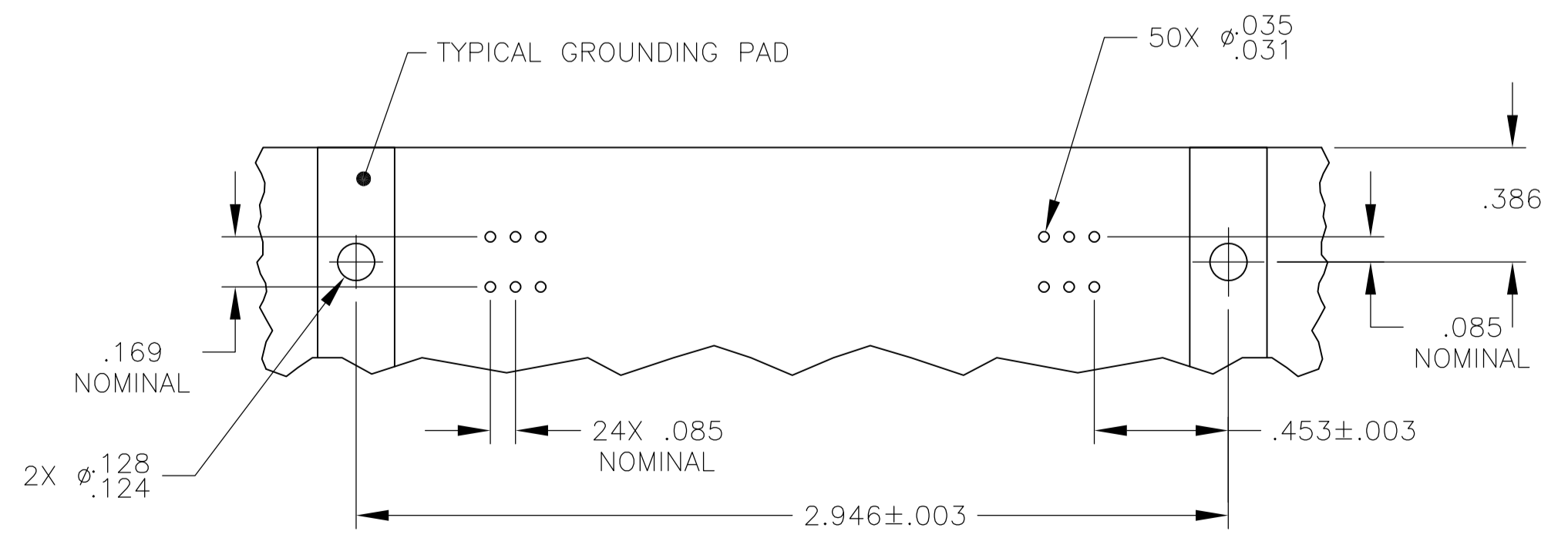
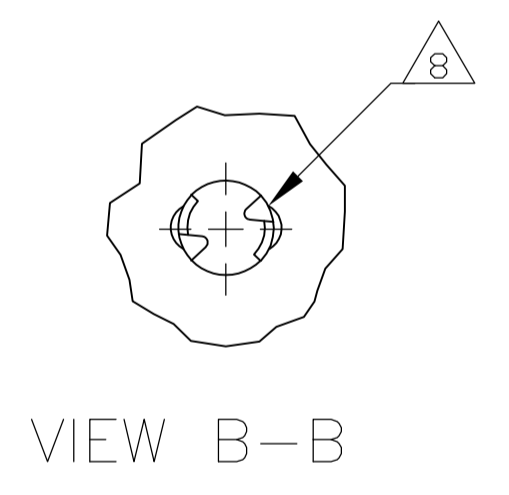
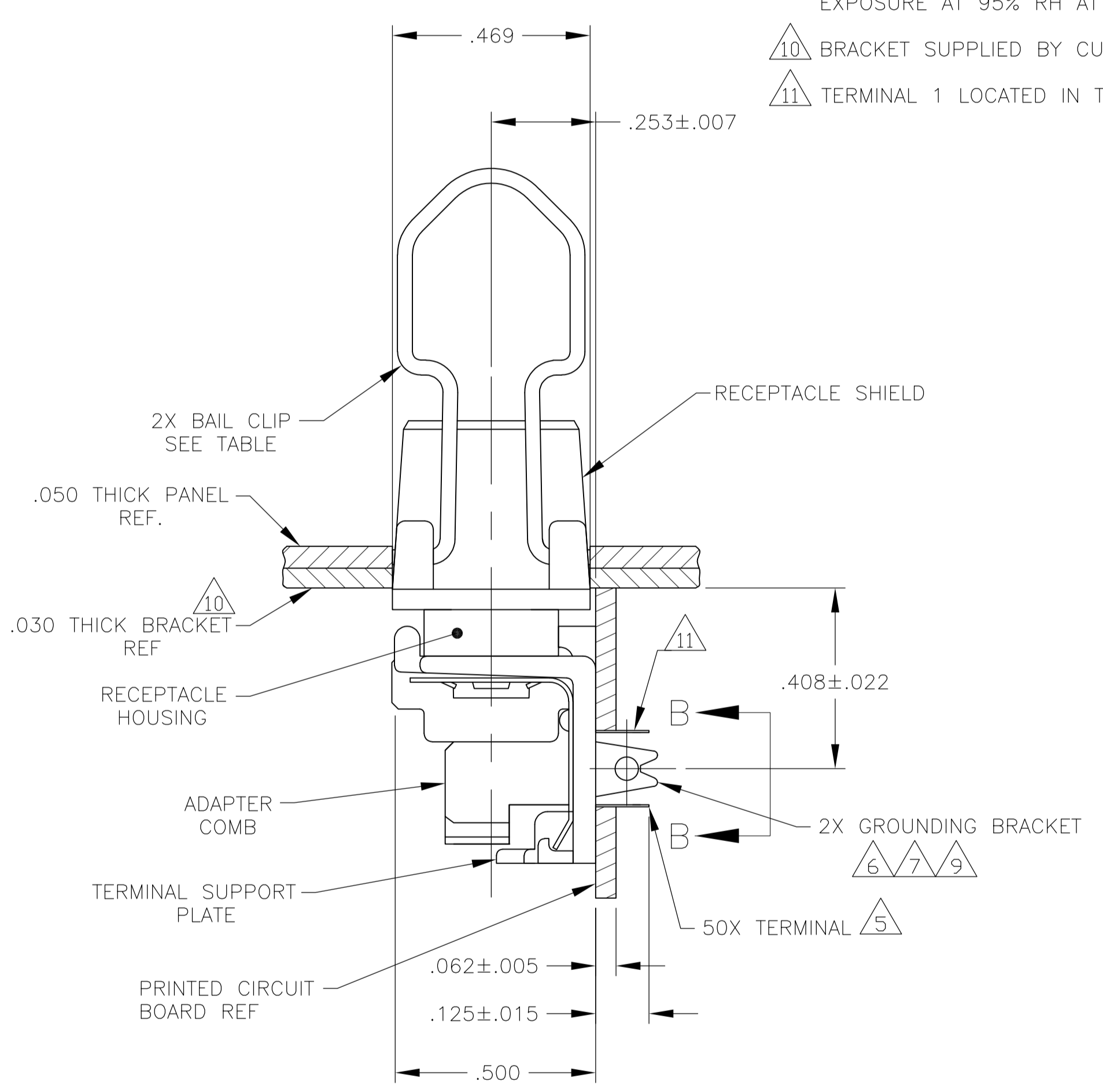
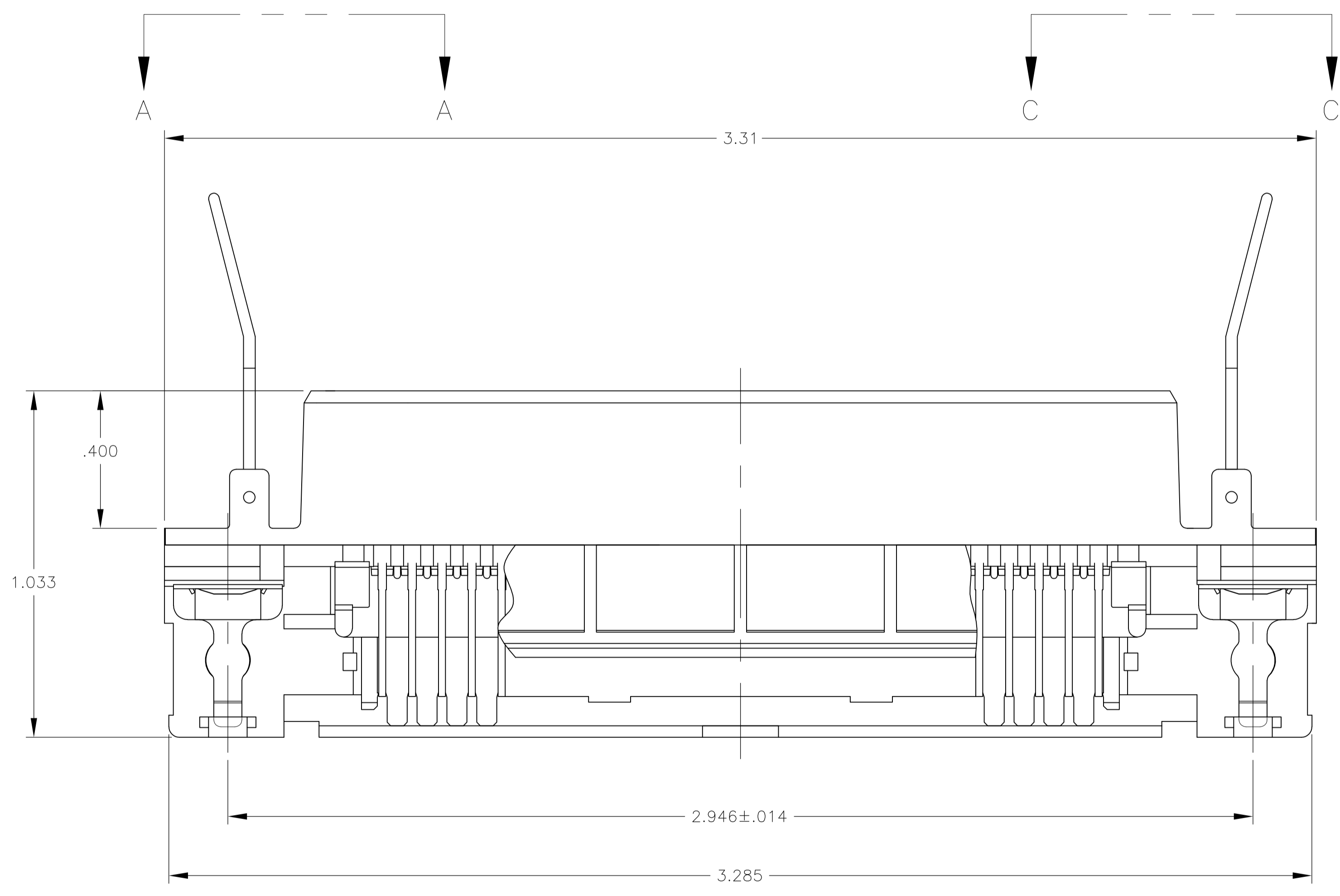
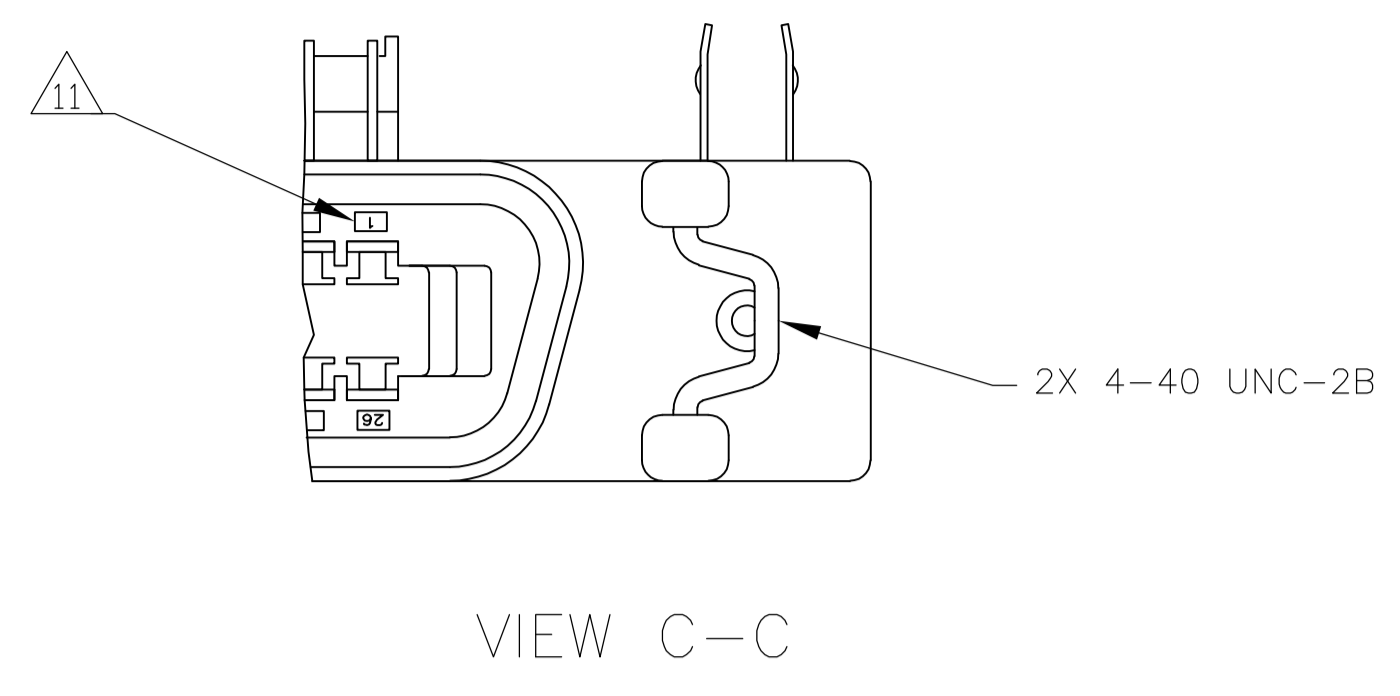
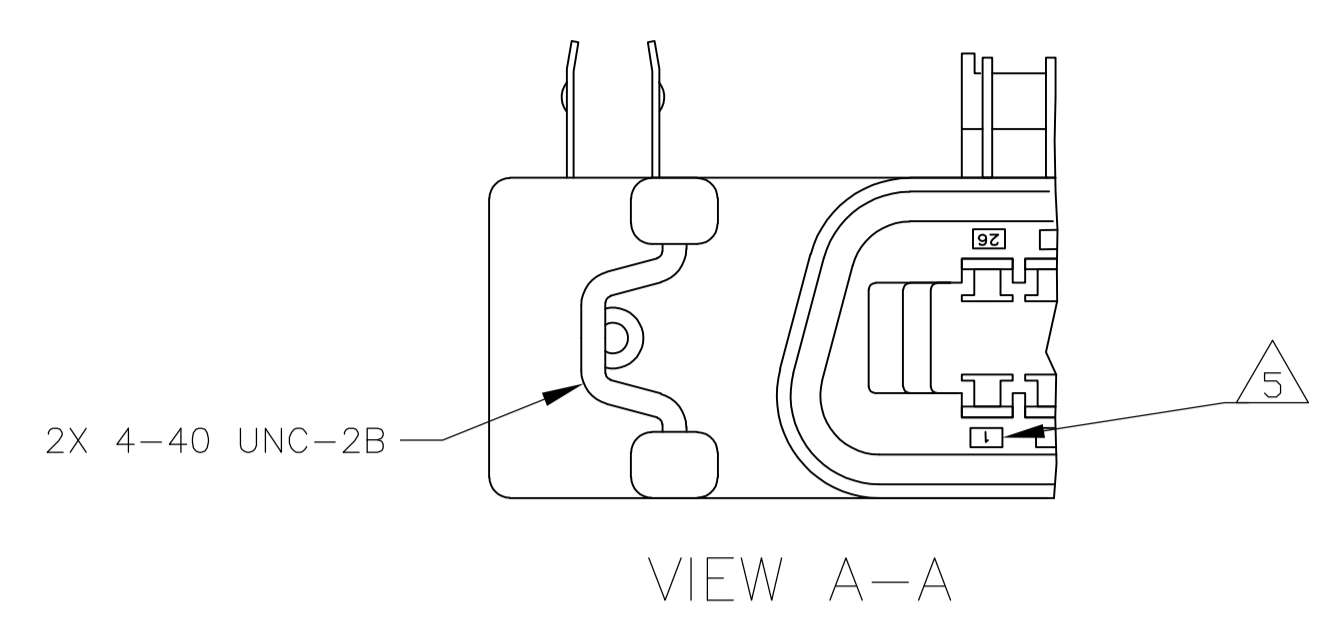
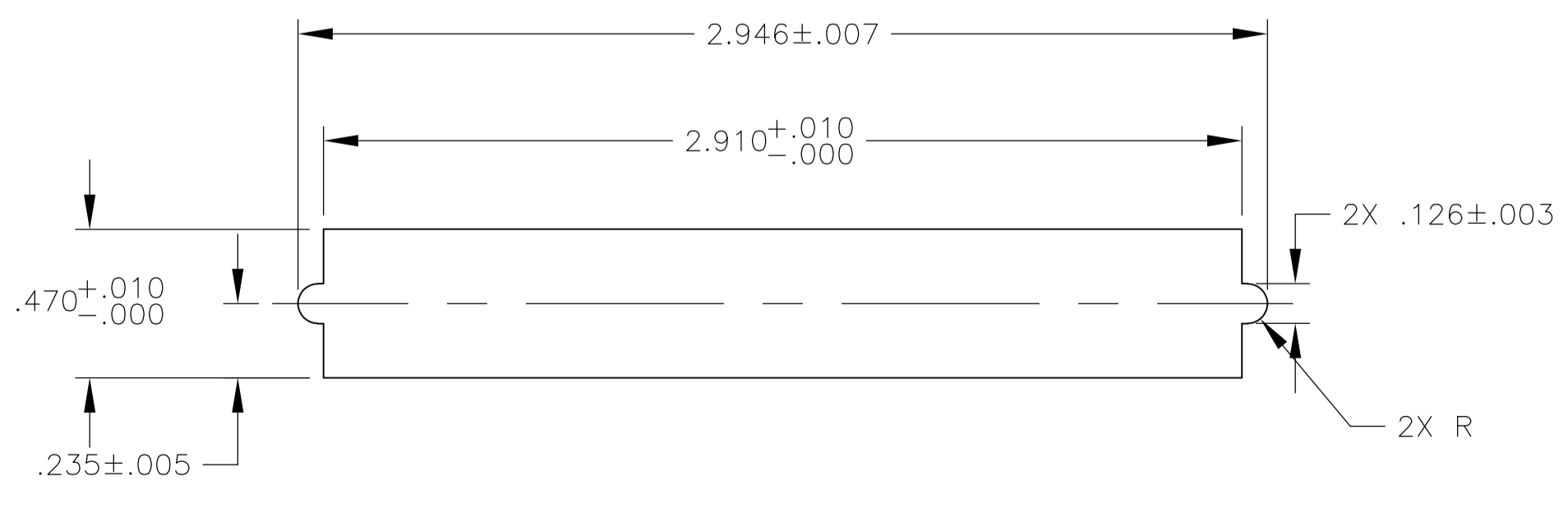


LOC		DIST		REVISIONS			
GP	00	REV	DATE	DESCRIPTION	DATE	BY	APPV
B		1	09APR08	REVISED PER ECO-08-007327		BM	WM



SUGGESTED PRINTED BOARD MOUNTING DIMENSIONS
SCALE 2:1



SUGGESTED BRACKET MOUNTING CUTOUT DIMENSIONS
SCALE 2:1

- 1 MATERIAL:
 HOUSING & ADAPTER COMB - POLYESTER, BLACK.
 BAIL CLIPS - PASSIVATED STAINLESS STEEL.
 RECEPTACLE SHIELD - BRIGHT NICKEL PLATED OVER COPPER PLATED ZINC.
 TERMINALS - HIGH STRENGTH COPPER ALLOY PLATED WITH EITHER .000030 MIN GOLD PLATE OR GOLD FLASH OVER PALLADIUM NICKEL PLATE, .000030 MIN TOTAL ON MATING SURFACE, .000120 MIN TIN PLATE ON TAILS, ALL OVER .000050 MIN NICKEL UNDERPLATE OVER ENTIRE TERMINAL.
 GROUND BRACKET - TIN PLATED CARBON STEEL.
2. THE CONTACT SURFACES OF THE TERMINALS ARE COATED WITH LUBRICANT.
3. CENTER-TO-CENTER SPACING OF TERMINALS IS .085 NOMINAL.
4. ALL DIMENSIONS SHOWN ARE MAXIMUM UNLESS OTHERWISE SPECIFIED.
- 5 TERMINAL 1 LOCATED IN THIS ROW FOR STANDARD ORIENTATION.
- 6 GROUNDING BRACKET RETAINS CONNECTOR IN .062 THICK PC BOARD WITHOUT ADDITIONAL HARDWARE.
- 7 GROUNDING BRACKET LOCATES CONNECTOR FLUSH WITH TOP OF PC BOARD AND SPRING LOCKS BENEATH.
- 8 CYLINDRICAL SHAPE OFFERS 180° OF SOLDERING SURFACE.
- 9 SURFACE AREA OF GROUNDING BRACKET BELOW PC BOARD SHALL PASS SOLDERABILITY REQUIREMENTS IN ACCORDANCE WITH AMP SPEC 109-11-2. DISCOLORATION SCRATHES, SPOTS AND OTHER COSMETIC DEFICIENCIES TYPICAL OF BARREL PLATING PROCESSES ARE ACCEPTABLE PROVIDING PARTS PASS 24 HOUR EXPOSURE AT 95% RH AT 40°C WITHOUT EVIDENCE OF CORROSION.
- 10 BRACKET SUPPLIED BY CUSTOMER.
- 11 TERMINAL 1 LOCATED IN THIS ROW FOR REVERSE ORIENTATION.

ORIENTATION	DESCRIPTION	PART NUMBER
REVERSE, VIEW C-C	AS SHOWN	5555149-3
STANDARD, VIEW A-A	WITHOUT BAIL CLIPS	5555149-2
	AS SHOWN	5555149-1

THIS DRAWING IS A CONTROLLED DOCUMENT.		DIN 9138 MCMMASTER 28JULY05		Tyco Electronics Corporation Harrisburg, PA 17105-3608	
DIMENSIONS: INCHES		TOLERANCES UNLESS OTHERWISE SPECIFIED:		NAME	
0 PLC	± .005	1 PLC	± .003	RCPT ASSY, LPF, EXT SHLD, RTANG, 50 POSN, BD LK, BAIL LK, CHAMP	
1 PLC	± .003	2 PLC	± .002	SIZE	
2 PLC	± .002	3 PLC	± .001	CAGE CODE	
3 PLC	± .001	4 PLC	± .0005	DRAWING NO	
4 PLC	± .0005	ANGLES	± .0005	RESTRICTED TO	
MATERIAL		FINISH		WEIGHT	
CUSTOMER DRAWING		SCALE 4:1		SHEET 1 OF 1	